

# Mounting and Wiring Instructions

## Mounting recommendations from SecuRam:

1. Never remove the swingbolt actuator cover. Removal of the cover voids product warranty.
2. Modifications on the swingbolt actuator are not recommended and will void product warranty.
3. Use a new 9V ALKALINE battery only. Recommend using Energizer™ or Duracell™ brand.
4. All SecuRam entrypads have the same diameter of 4-5/16" (95.2mm)
5. A minimum of 1-2mm of space is required between the flat end of the bolt and safe's blocking bar or cam plate when the safe's boltwork is in fully locked position. This is because the depression on the bolt may not allow it to be retracted and may lead to inconsistent lock operations. (Figure 2)
6. Note that the cable connectors have lock-tabs attached to them which ensure that the cable is securely locked into place. It is recommended to pinch the lock-tab every time when pulling out the connector from the socket
7. Make sure the swingbolt actuator is fully operational before closing the safe door for the first time.

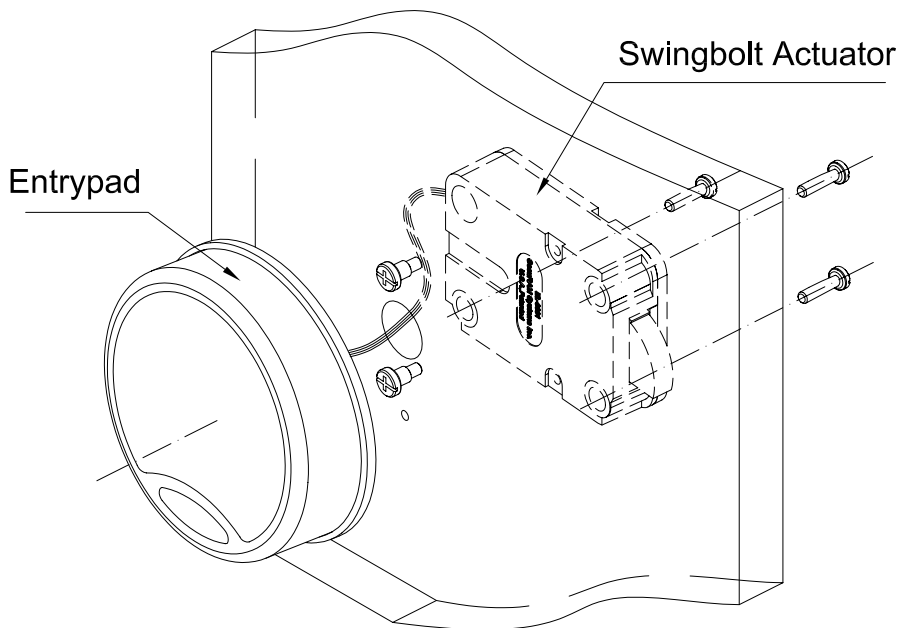
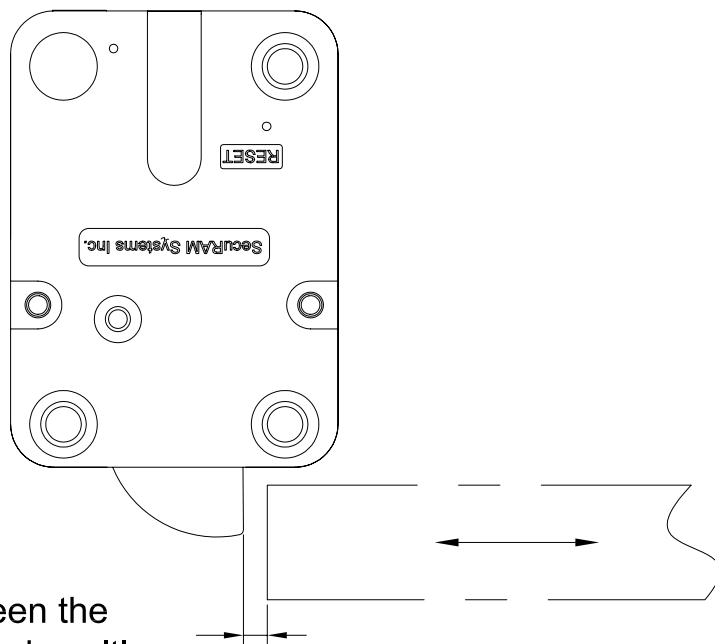


Figure 1



Keep 1~2mm space between the plate and the swingbolt in locked position.

Figure 2

## Install entrypad

1. Drill and tap the mounting holes for US 8-32 and a cable hole on the safe front door or plate
2. Use the two 8-32 mounting screws to mount onto the door. (Figure 3)
3. Install cable and battery
  - a) Carefully insert the connector into the socket and gently press the connector until a click is heard. If it doesn't easily slide into position, do not force it. You need to turn it 180° to retry it. (Figure 4)
  - b) Gently slide the cable into the hook. Propping the hook open a little bit can help fully feed the cable into the hook more easily. The white side of the cable must be facing upfront all the way. (Figure 5 & 6)
  - c) Connect a new 9V alkaline battery to the battery clip. Snap the battery and the leads completely back into the battery compartment with the leads facing down. (Figure 6)

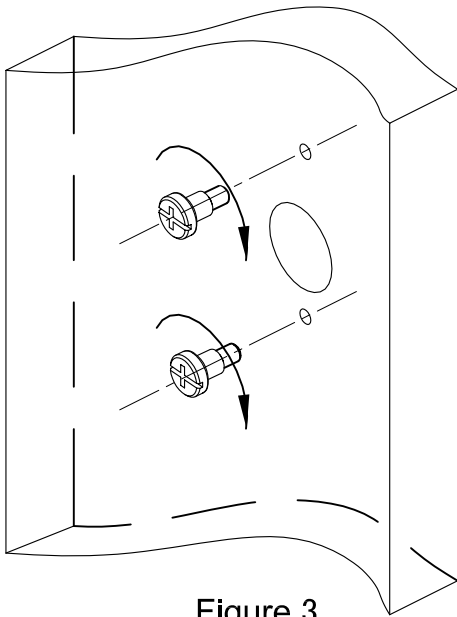


Figure 3

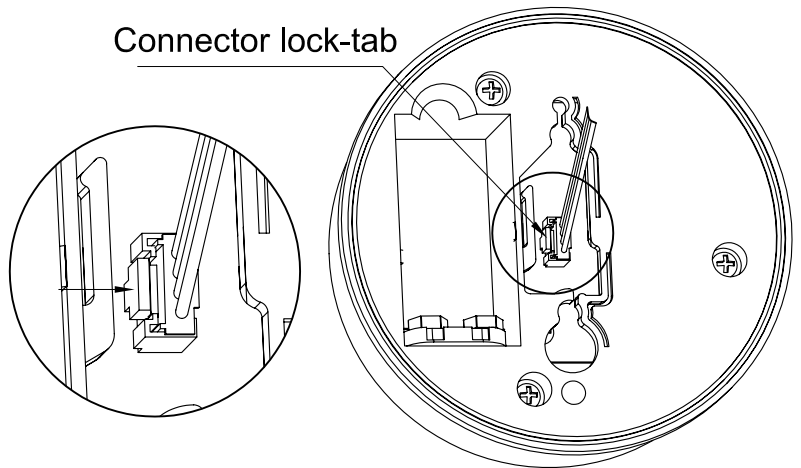


Figure 4

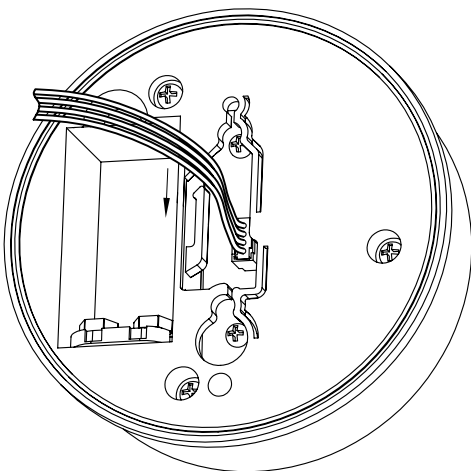


Figure 5

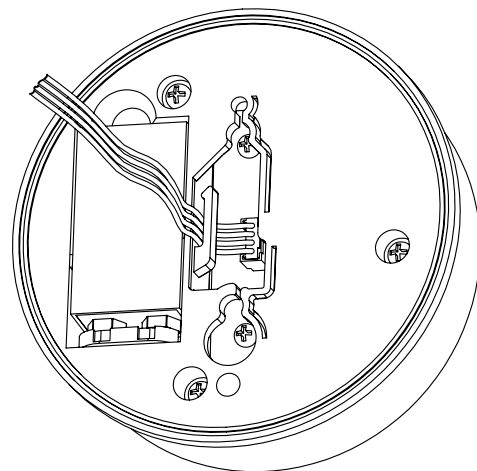


Figure 6

- d) Carefully fold any excess cable inside the entrapment. Make sure the cable is not too short to allow access to the back side of the entrapment during future battery replacement. (Figure 7)
  - e) Route the other end of the cable through the wire channel. Make sure the wire channel is rounded with no sharp edges that might damage the cable. (Figure 8)
4. Slide the entrapment into the mounting screws until a click is heard. The entrapment should be locked into place and should not move in either direction. Make sure that the cable will not rub or tangle on mounting screws. (Figure 9)

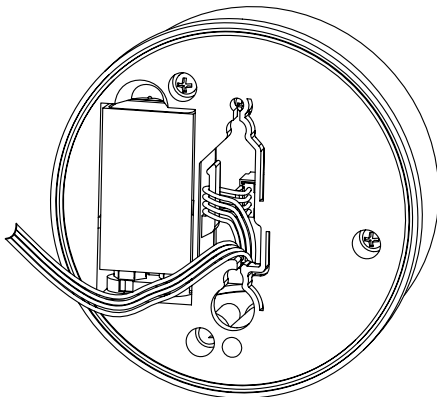


Figure 7

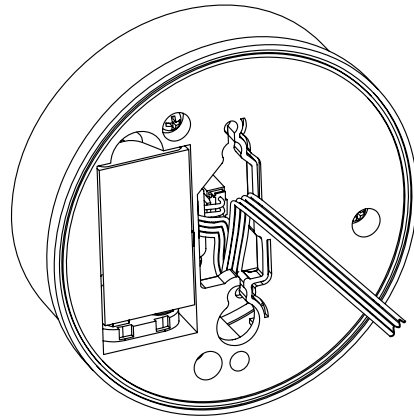


Figure 8

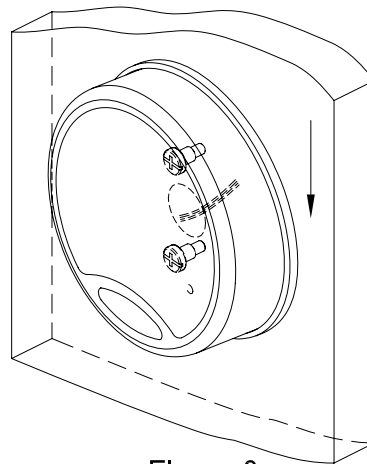


Figure 9

### Install swingbolt actuator

1. Drill and tap the mounting holes for US 1/4"-20 or M6 on the door or plate.(Figure 11)
2. Gently pull on the cable to ensure there is no excess cable in the hole and place the cable as shown in Figure 10.
3. Use the three mounting screws provided by the factory to screw down the swingbolt actuator to the mounting plate or door. Make sure that the cable runs in the groove (Figure 12). It is important to make sure there is a distance of 1-2mm between the flat end of the bolt and the safe's blocking bar or plate. (Figure 12 & 13)
4. Press the connector into the socket on the swingbolt actuator. Make sure the connector is securely in place. (Figure 14)

Connector lock-tab

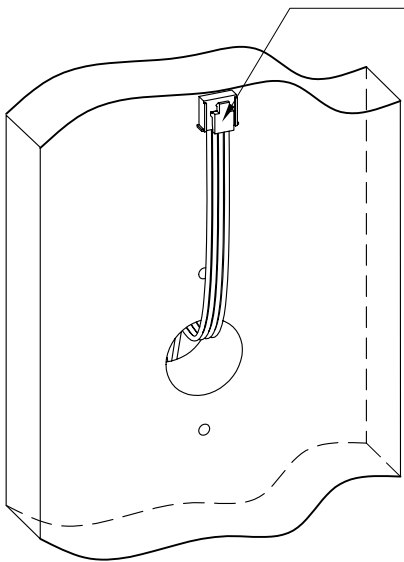


Figure 10

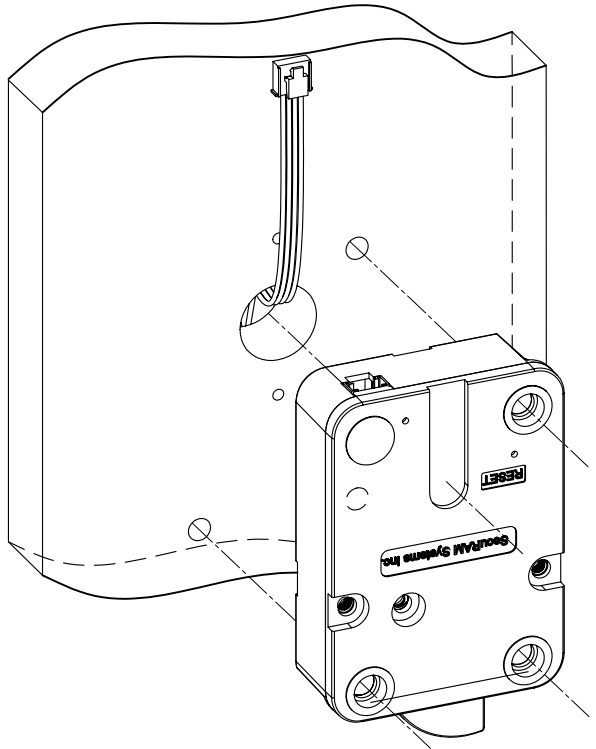


Figure 11

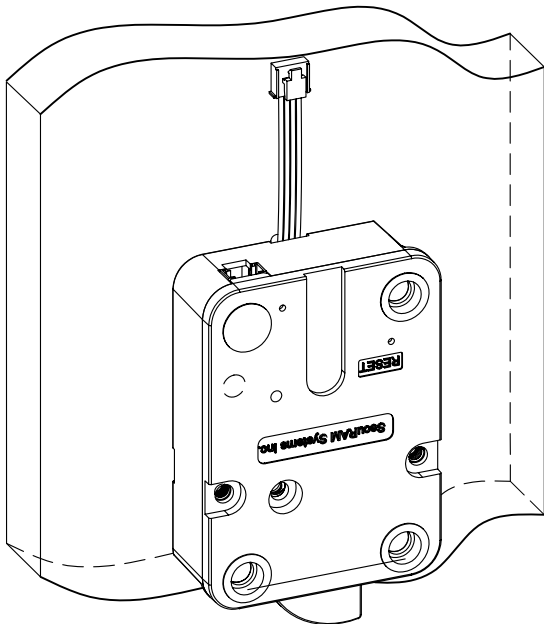
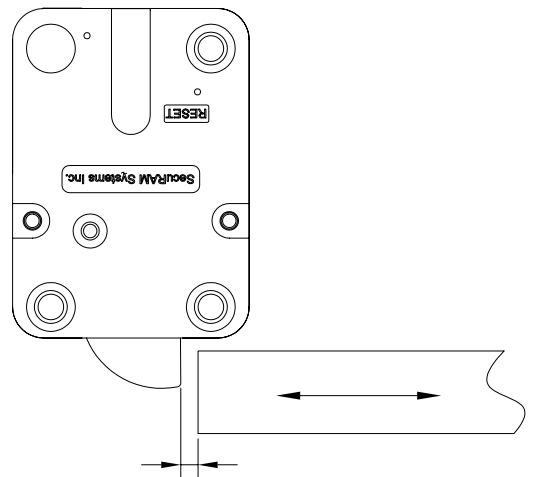


Figure 12



Keep 1~2mm space between the plate and the swingbolt in locked position.

Figure 13

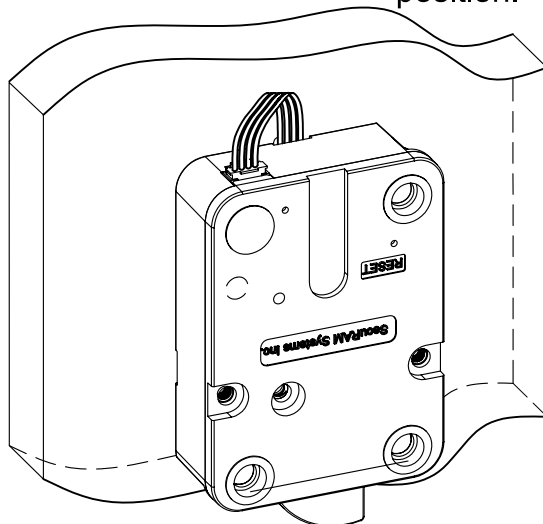


Figure 14