

**SafeLogic Xtreme - Electromechanical Redundant Safe Lock System - Instructions**

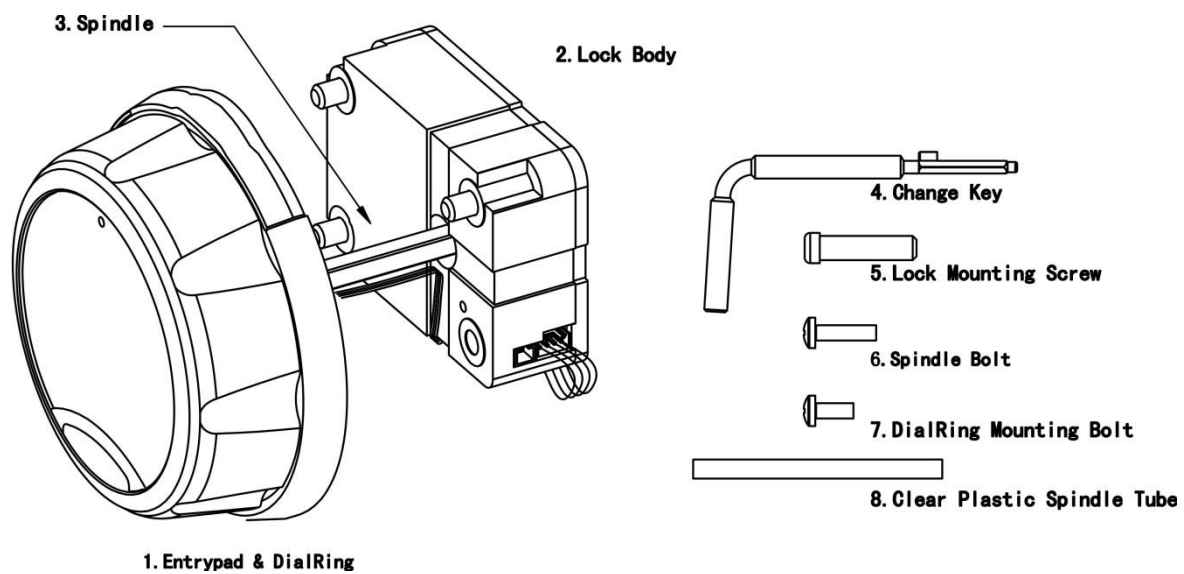
Please visit the website below by scanning the QR code with your smartphone or by typing in the address below for video instructions on SafeLogic Xtreme Install Instructions.

<http://goo.gl/3pZ16W>

**Important:**

1. Do not remove the back cover of the lock case.
2. Modifications of the lock are not recommended and will void product warranty.
3. Use a brand new 9V ALKLINE battery only. Recommend batteries: Energizer™ or Duracell™ brand.
4. Note that the 4-wire cable connectors have lock-tabs attached to ensure that the cable is securely connected and locked into place. To prevent damage to this connector, it is required to pinch the lock-tab when disconnecting the 4-wire cable connector from the socket.
5. Package consists of:

1. EC-1501A-X EntryPad.
2. XL-1501 Electromechanical Lock Body.
3. Spindle – drilled and tapped at one end.
4. Combination Change Key.
5. Lock Mounting Bolt: 3 PCS. Used to install the electromechanical lock body to the mounting plate.
6. Spindle Bolt to secure the spindle to the SpinDial: 1 PC.
7. DialRing Mounting Bolt: 4 PCS. Used to install the EntryPad to the front of the safe door.
8. Clear Plastic Spindle Tube



## 1.0 Preparing to Install the DialRing and EntryPad

Separate the DialRing from the EntryPad:

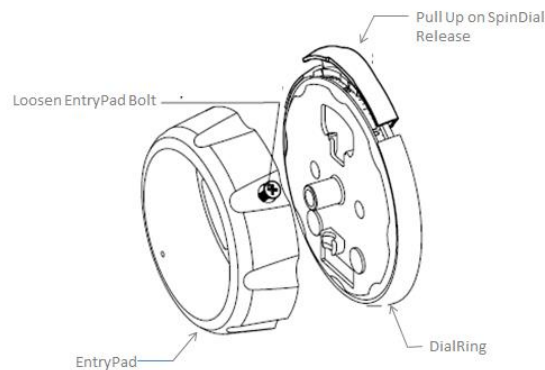
Step 1: Pull up on the SpinDial release to disengage the electronics.

Step 2: Rotate the EntryPad 180 degrees to gain access to the EntryPad bolt which is located at the 6 o'clock position on the EntryPad.

Step 3: Loosen the screw to disconnect the EntryPad from the DialRing.

Step 4: Remove the EntryPad from the DialRing by pulling the EntryPad away from the DialRing.

Note: The Entrypad and dial ring are held together by magnets to prevent the Entrypad from falling off when unscrewing.



## 2.0 Installing the DialRing

Step 1: Locate the DialRing mounting holes and spindle hole (minimum 10mm Dia) on the safe door

Step 2: Make sure the spindle hole is de-burred and has no sharp edges that could damage the cable.

Step 3: Make sure the 4-wire cable is not crimped or folded against itself under the DialRing as you prepare to mount it to the safe.

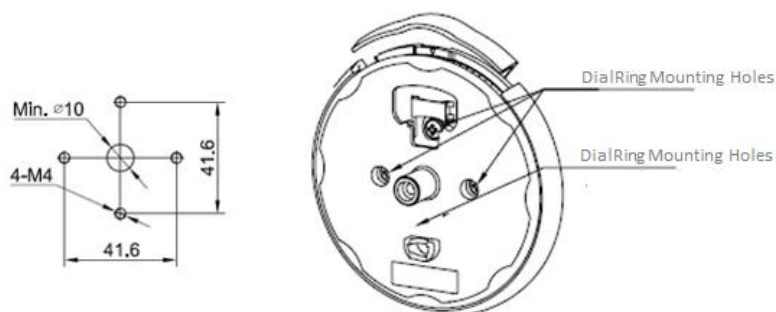
Step 4: Route the cable through the spindle hole.

Step 5: Position the DialRing to be mounted.

Step 6: Using the DialRing Mounting bolts (Part# M4 Bolt), install the DialRing on to the safe door.

The mounting hole at the bottom of the DialRing is covered by the rotating dial. First pull up on the Spin Dial Release then turn the dial to expose the mounting hole and

install the DialRing Mounting bolt (Part# M4 Bolt).



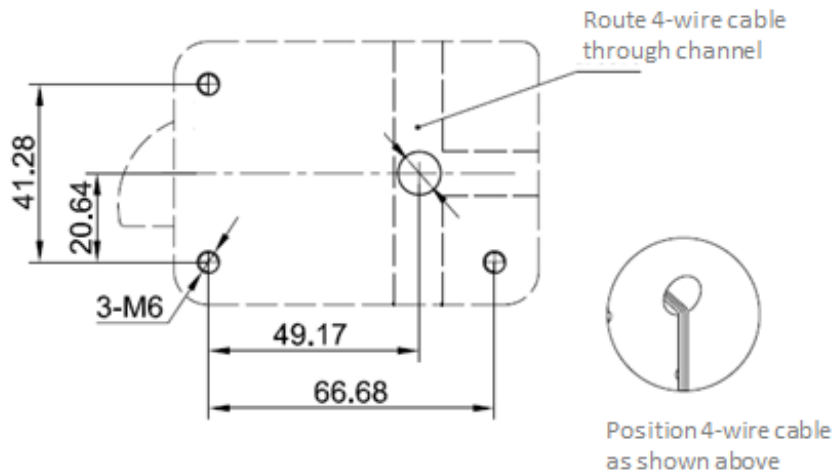
Note: In most safe installations, there are only two DialRing mounting holes, either aligned vertically or horizontally. Two bolts are adequate to secure the DialRing in place.

- Step 7: Tighten the DialRing Mounting bolts (Part# M4 Bolt) to hold the DialRing in place. It is not necessary to securely tighten the Dial Ring Mounting bolts (Part# M4 Bolt), as the installation of the DialRing shall be adjusted during the next steps.
- Step 8: Cut the supplied clear plastic spindle tube (Part# TB-9/80-P) to a length equal to Door Thickness, where the Door Thickness or "DT" is the measurement from the Safe door outer surface (the surface upon which the DialRing is to be mounted) to the lock body mounting plate (the surface upon which the lock body is to be mounted).

### 3.0 Installing the Lock Body

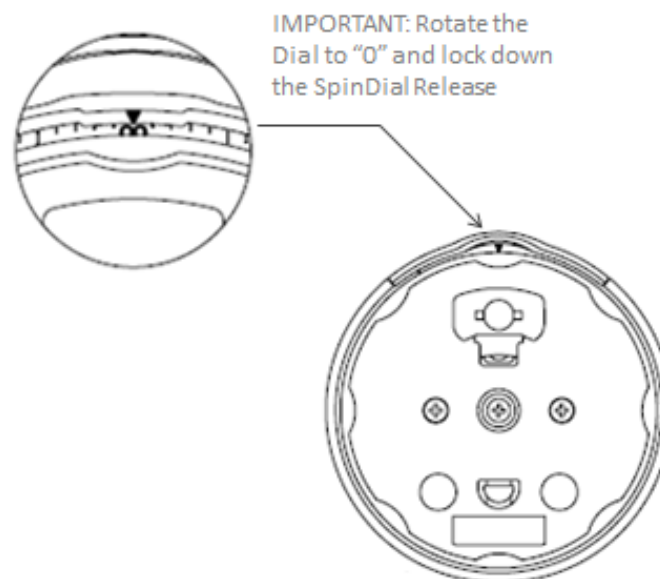
- Step 1: Gently pull on the 4-wire cable to ensure there is no excess cable in the spindle hole and place the cable as shown.
- Step 2: Insert the clear plastic spindle tube (Part# TB-9/80-P) into the spindle hole until it comes into contact with the DialRing. It will be protruding into the safe approximately 3/8" beyond the surface of the lock mounting plate.
- Step 3: Use the three lock mounting bolts provided to fasten the lock body to the mounting plate. Run the cable through the channel provided on the lock body as pictured below. Ensure the cable is not crimped or folded against itself under the lock as you prepare to fasten the lock body to the mounting plate.

Note: **Do not tighten fully yet, this will be done during step 15.**

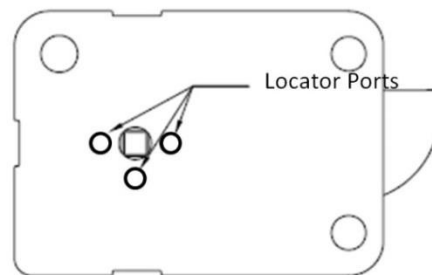


#### 4.0 Installing the Spindle

Step 1: **IMPORTANT:** Turn the SpinDial until the number "00" aligns with the twelve o'clock position of the ring. Close the SpinDial release, so the dial is locked down at "00" and cannot be rotated.

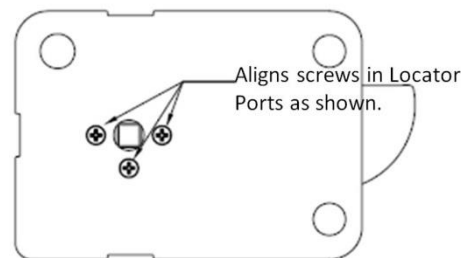


Step 2: Take note of the 3 ports (holes) surrounding the spindle insertion point on the lock cover as pictured below. These "Locator Ports" will be used to position the cam inside the lock correctly for SpinDial access.



Step 3: Now insert the spindle (Part# MSP-15A-6IN) into the spindle insertion point about ¼" so that the spindle engages with the cam inside the lock body.

Step 4: Turn the spindle until the three small Phillips head screws are visible in the Locator Ports as shown as demonstrated in picture below.

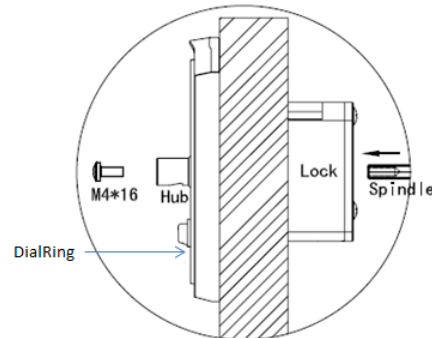


Step 5: Now that the cam is oriented correctly, remove the spindle (Part# MSP-15A-6IN).

Step 6: The spindle (Part# MSP-15A-6IN) has one end that is drill and tapped to receive the Spindle Bolt (Part# M4\*16). This drilled and tapped hole will be used to connect the spindle to the DialRing. Locate the drilled and tapped hole end of the spindle and insert this end of the spindle into the spindle insertion point as seen below. Ensure that the spindle is inserted through the clear plastic spindle tube.

Step 7: Continue to push the spindle into place until it reaches the DialRing hub.

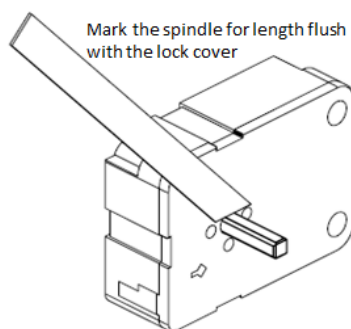
Step 8: At the DialRing, insert the Spindle Screw (Part# M4\*16) into the DialRing hub and tighten.



Caution:

- Ensure that the cable is held taut while inserting the spindle. Make sure the cable will not be crimped by the spindle.
- Make sure the spindle can smoothly slide into the hub of the DialRing. If the spindle does not engage into the hub, reposition the DialRing to allow the spindle to properly align with the hub.
- IMPORTANT:** Double check to make sure that the Dial Ring is locked down at "00" and that the small Phillips head screws are aligned correctly with the Locator Ports.

Step 9: Mark the spindle length flush to the lock cover.



The length of the spindle can be pre-cut to a length equal to Door Thickness (DT) + 1.75"

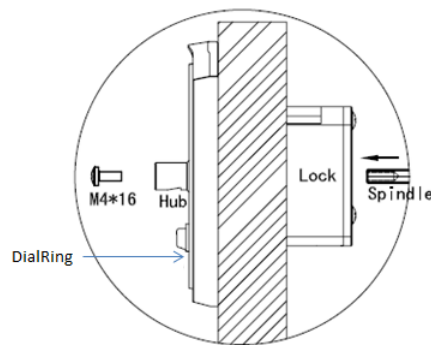
Step 10: Remove the spindle bolt (Part# M4\*16) and spindle (Part# MSP-15A-6IN) from lock case prior to cutting. Carefully cut the spindle so that it will be flush to the lock cover.

Step 11: Remove all burrs from the spindle using a file.

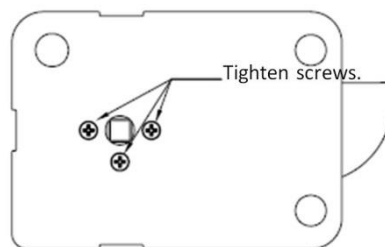
Step 12: Now insert the Spindle (drilled and tapped end first) into the spindle insertion point and through the clear plastic tube. Ensure that the cable is held taught while inserting the spindle so that it does not become damaged.

Step 13: Continue to push the spindle into place until it reaches the DialRing hub.

Step 14: At the DialRing, insert the M4\*16 spindle screw into the DialRing hub and tighten. Now tighten the Lock Mounting Bolts (QTY: 3)



**Step 15: IMPORTANT:** Now from the Lock body side, tighten the small Phillips head screws to lock the spindle into place at the cam.



## 5.0 Check the Installation of the DialRing

Step 1: Pull up on the SpinDial release, so the dial can now be rotated.

Step 2: Rotate the dial, and adjust the installation position of the DialRing to find the best position at which the dial turns freely without scraping or binding.



Step 3: Now securely tighten the DialRing mounting bolts (Part# M4 Bolt).

Step 4: Once tightened down, rotate the dial again, to confirm that there is no scraping or binding between the Dial and the DialRing. If there is binding or scraping, loosen the mounting bolts again and adjust the position of the DialRing accordingly.



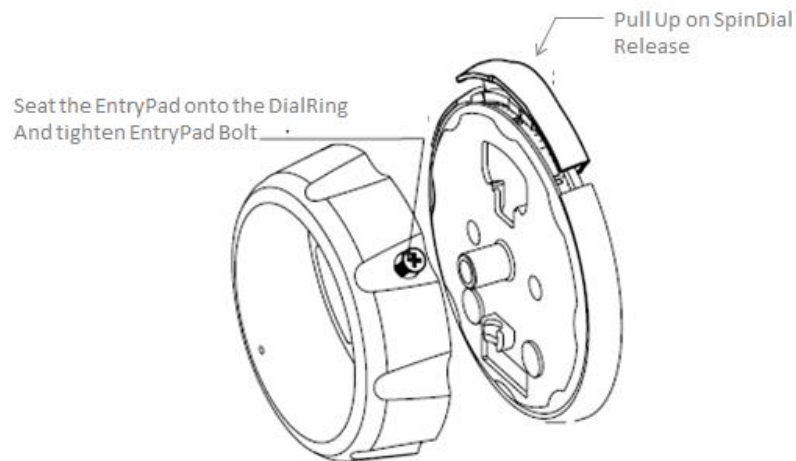
## 6.0 Install Electronic EntryPad

Step 1: Install the 9V ALKALINE battery in the back of the EntryPad. Embossed in the bottom of battery compartment you will see the battery orientation markings: "+" and "-". Install the battery with the correct orientation as indicated by the "+" and "-". Refer to "Replace the 9V ALKALINE battery".

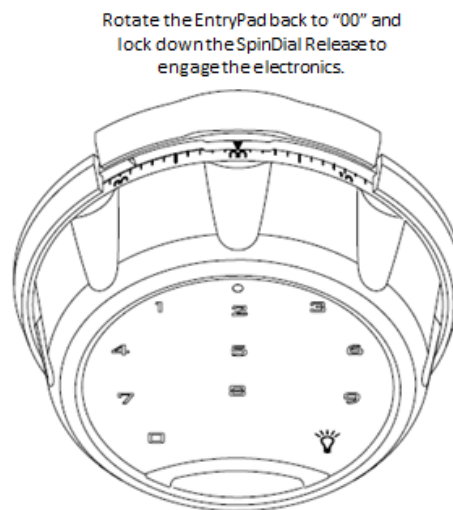
Step 2: **IMPORTANT: Pull up on the SpinDial release to disengage the electronics. Rotate the Dial 180 degrees to "50".**

Step 3: Now install the EntryPad onto the DialRing. The EntryPad should be properly seated on to the DialRing, with the keypad face upside down.

Step 4: Tighten the EntryPad screw as seen below.



Step 5: Now rotate the SpinDial back to "00" and lock down the SpinDial release.



## 7.0 Test after installation

ALWAYS PERFORM THE TEST WITH THE SAFE DOOR OPEN.

Before closing the door, make sure both electronic code and mechanical combination can be used to unlock.

- Step 1: Test the operation of the electronic lock system. Refer to “Electronic Lock Operating Instructions”.
- Step 2: Pull up on the SpinDial release to open it. LED TopLight turns on for 2 minutes. Turn the dial to ensure it turns smoothly.
- Step 3: Test the operation of the mechanical combination. Refer to “Mechanical Lock Operating Instructions”.
- Step 4: After above test, turn the SpinDial until the number “00” aligns with the twelve o'clock position of the ring. (Fig. 7) and close the SpinDial release. (Fig. 8)

## **8.0 Electronic Lock Operating Instructions**

The SafeLogic Xtreme comes with the user code set to the factory default of 1-2-3-4-5-6.

### **8.1 To Open the Lock with a Code**

- Step 1: Press 1-2-3-4-5-6.
- Step 2: The lock opens
- Step 3: Then relocks after 6 seconds.

### **8.2 To Change the Default User Code**

- Step 1: Enter 0-0-0-0-0-0
- Step 2: The lock will beep twice indicating that it is ready for programming
- Step 3: Enter the existing 6 digit code. The Lock will beep once.
- Step 4: Now enter the new 6 digit code. The lock will beep once.
- Step 5: Now repeat the new 6 digit code. The lock will beep once indicating that the change code process is complete. If 3 beeps sound the code has not been accepted. Repeat the process
- Step 6: Now enter the new code to test the lock.

If the lock does not open using the new code, repeat the change code process again.

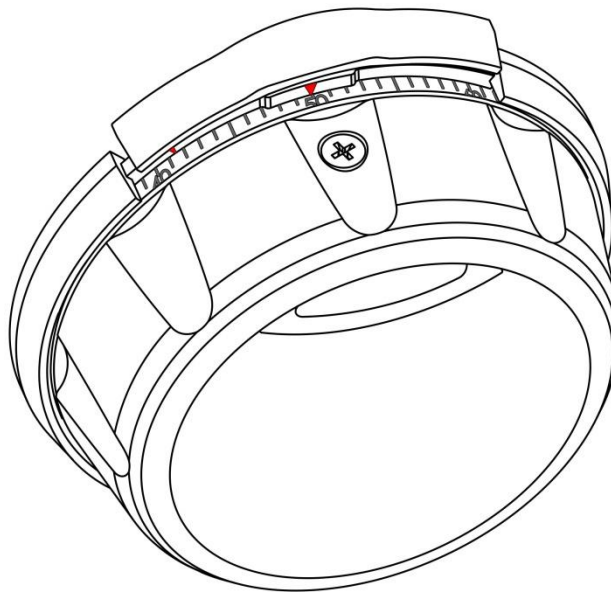
## 9.0 Mechanical Lock Operating Instructions

The mechanical combination of SafeLogic Xtreme preset to 50-50-50.

### 9.1 First SpinDial Combination Opening

Step 1: Pull up on the SpinDial Release to disengage the electronics

Step 2: Now rotate the SpinDial 4 full revolutions to the left (or counter clockwise) stop when you see 50 at the Dialing Index the fourth time. (The Dialing Index is the small red arrow pointing to the numbers in the center of the SpinDial Release as shown below)



Step 3: Now rotate the SpinDial to the right until it comes to a stop (within one revolution)

When the SpinDial comes to a stop the lock is open.

Step 4: Turn your safe handle.

Since all combination numbers are set to “50”, we did not need to dial the other numbers in the combination, since they were already aligned correctly allowing the lock to open.

Note: If the lock does not open on 50, try dialing the combination again but this time to 49 or 51.

The lock will open on 49 or 51, because the DialRing may not be in perfect vertical alignment with the lock body.

It is important to remember the combination on which the lock opened, as we will use this number in our change combination process.

## 9.2 Changing the Mechanical Combination

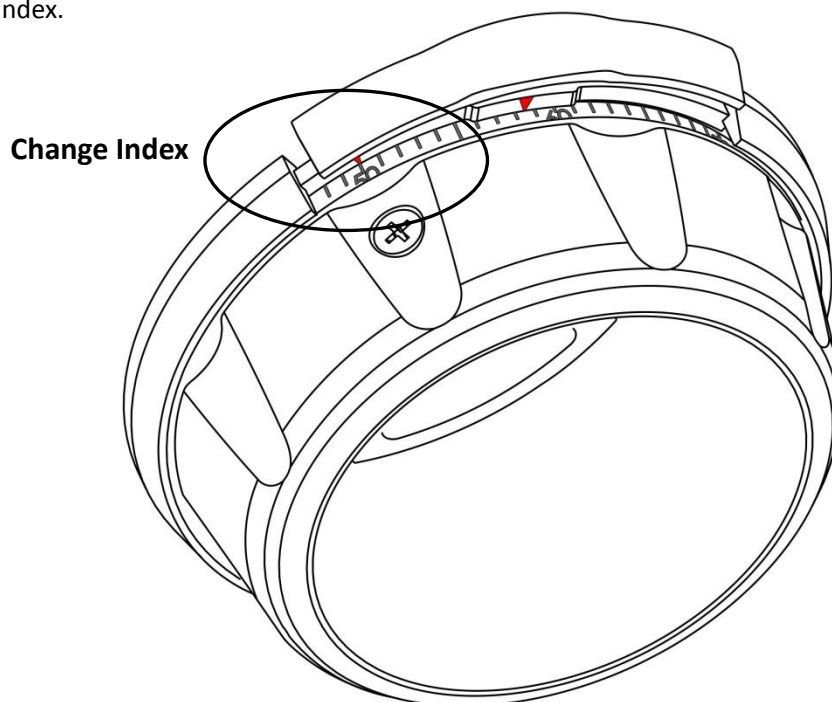
Step 1: Write down the number that the lock opened on the first time – for this example we will assume the mechanical combination is 50 (but perhaps it opened on 49 or 51).

**VERY IMPORTANT:** The last number of your new combination cannot be set between 95 and 99 or between 0 and 20 - this is called the “Forbidden Zone”. If the last number is set within the Forbidden Zone, it will cause a condition that prevents the mechanism from operating correctly.

Step 2: Write down the new combination you would like to set in the mechanical combination lock. This must be 3 numbers, for this example we will use the combination: 53-23-67

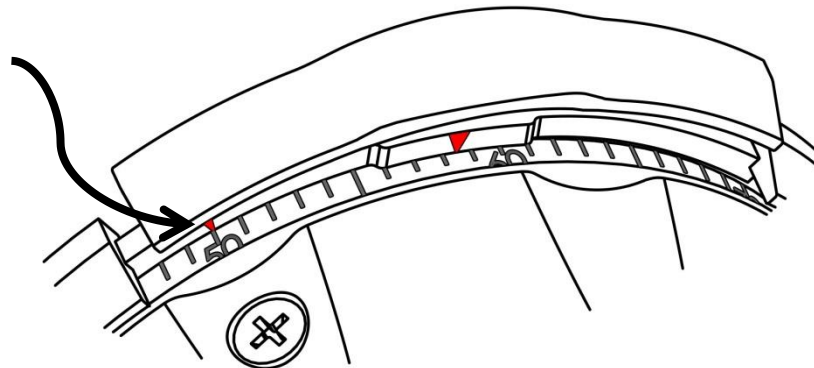
Step 3: Pull up on the SpinDial Release to disengage the electronics.

Step 4: Take note of the location of the **Change Index**. This is the small red arrow to the left of the Dialing Index.



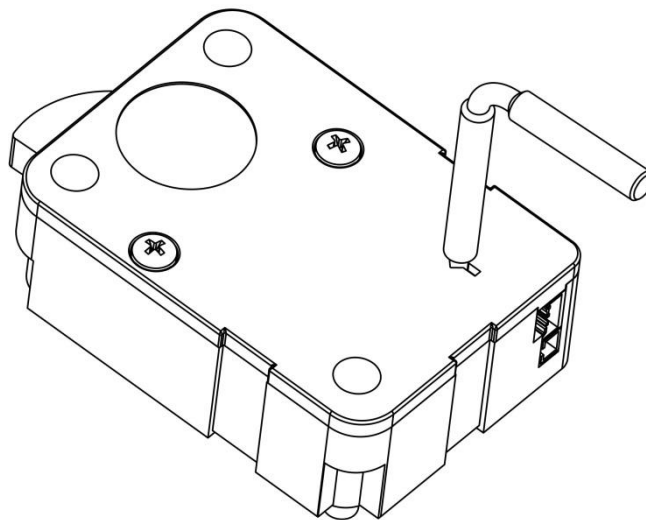
Step5: Rotate the SpinDial 4 times to the left, stop when you align the number “50” with the **Change Index**.

**Change Index**



Step 6: Now on the lock body (on the back of the safe door) locate the change key hole.

Step 7: Insert the Change Key into the change key hole until the key reaches the bottom of the lock case. You may have to wiggle the change key to get it to engage all 3 wheels. You will know that the key is fully inserted when the Change Key tab is fully inside the lock case.



Step 8: With the change key fully inserted through all 3 wheels, rotate the change key 90 degrees to the left. This unlocks the wheels and allows you to set a new combination.

Step 9: Now with the change key unlocking the wheels, dial your new combination to the **Change Index** as follows:

- Step 10: Dial 4 complete revolutions left, until you see the number 53 lined up with the Change Index and stop precisely on the number 53.
- Step 11: Now dial to the right until the second number (23) is aligned with the Change Index for the third time. (So pass the number 23 once, twice and stop on the third time.) Stop precisely on this number.
- Step 12: Now dial to the left until the third number (67) is aligned with the Change Index for the second time. (So pass the number 67 once, and stop on the second time.) Stop precisely on this number.
- Step 13: Now on the lock side, rotate the change key back to the right to lock the wheels at the new combination numbers.
- Step 14: Test this new combination to make sure that it works correctly, before closing the safe door. See Dialing a Mechanical Combination.
- Step 15: Commit the new combination to memory.

### 9.3 Opening with a Mechanical Combination

For this example, we will assume the combination is set to 53-23-67

- Step 1: Pull up on the SpinDial Release to disengage the electronics
- Step 2: Now rotate the SpinDial 4 full revolutions to the left (or counter clockwise) stop when you see 53, the first number in our combination, at the Dialing Index the fourth time. (The Dialing Index is the small red arrow pointing to the numbers in the center of the SpinDial Release)
- Step 3: Now dial to the right until the second number (23) is aligned with the Dialing Index for the third time. (So pass the number 23 once, twice and stop on the third time.) Stop precisely on this number.
- Step 4: Now dial to the left until the third number (67) is aligned with the Dialing Index for the second time. (So pass the number 67 once, and stop on the second time.) Stop precisely on this number.
- Step 5: Now rotate the SpinDial to the right until it comes to a stop (within one revolution)
- Step 6: When the SpinDial comes to a stop the lock is open.

Step 7: Turn your safe handle.

That's it.

#### 9.4 To Re-Lock the safe when using the mechanical combination:

Step 1: Close the safe door and turn the safe handle.

Step 2: Now rotate the SpinDial at least 4 full turns to the left to "spin-off" the combination.

Step 3: Lock down the SpinDial Release to re-engage the electronics.

### 10.0 To Reset the Lock back to Factory Default Codes

Perform the following procedure in order to set the electronic code back to the factory default.

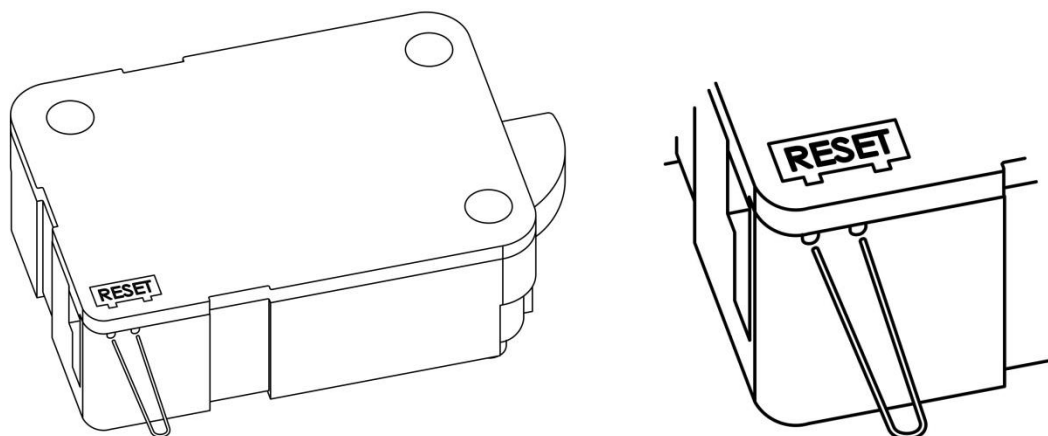
Step 1: Disconnect the 4-wire cable from the lock.

Step 2: Insert a U-type tool (paper clip or other) into the Reset holes and slide through the inner holes also.

Step 3: Connect the EntryPad to the DialRing and reconnect the cable to the lock.

Step 4: After 3~ 5 seconds, remove the U-type tool from the reset holes.

Step 5: The default codes will now operate the lock.



U-Shaped Paper Clip used to reset Lock to factory default codes



**IMPORTANT: Warranty Information**

Your safe lock is eligible for a 12 month warranty covering product defects. Within 90 days of purchasing your safe/safe lock, please visit our website to register your product.

Please visit [www.securamsys.com/warranty](http://www.securamsys.com/warranty) and look for the button entitled "Register your Warranty" or download the Date of Service Warranty form.